



Scanning Laser Range Finder for Robotics "SOKUIKI Sensor"

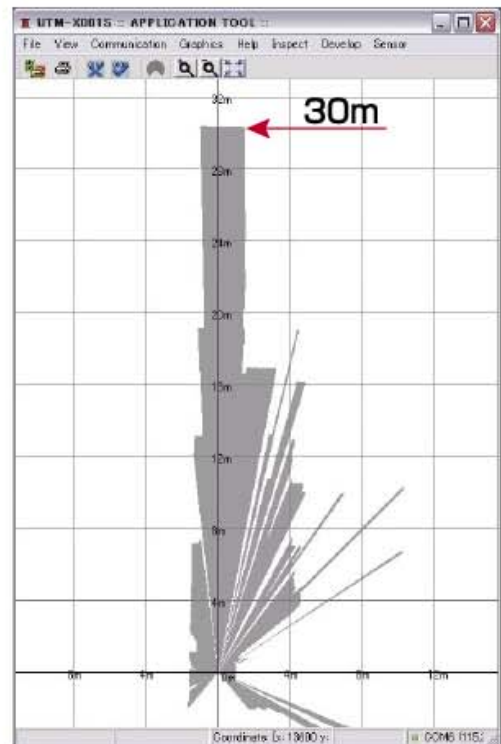
UTM-30LX

30m

Compact II



- Long Range: 30 m
- Wide Angle: 270°
- Possible for outdoor Applications
- Compact Body: 60 x 60 x 87 mm (W x D x H)
- Light Weight: Approx.370g





Specifications

Product name	Scanning Laser Range Finder "SOKUIKI Sensor"
Model	UTM-30LX
Power source	12VDC \pm 10% (Current consumption: Max: 1A, Normal : 0.7A)
Light source	Semiconductor laser diode (λ =785nm), Laser safety Class 1 (FDA)
Detection Range	0.1 ~ 30m (White Square Kent Sheet 130mm or more), Max. 60m 270°
Accuracy	0.1 ~ 10m : \pm 30mm under 3,000lx, White Square Kent Sheet 0.1 ~ 10m : \pm 50mm under 100,000lx, White Square Kent Sheet
Angular Resolution	0.25° (360° /1,440 steps)
Scan Time	25msec/scan
Sound level	Less than 25dB
Interface	USB2.0 (Full Speed)
Synchronous output	NPN open collector
Command system	Exclusively designed command SCIP Ver.2.0
Connection	Power and Synchronous output: 2m flying lead wire USB: 2m cable with type-A connector
Ambient (Temperature/Humidity)	- 10 ~ +50°C , Less than 85%RH (without dew and frost)
Vibration Resistance	Double amplitude 1.5mm 10 ~ 55Hz, 2 hours each in X, Y and Z direction
Impact Resistance	196 m/s ² , 10 times each in X, Y and Z direction
Weight	Approx. 370 g (with cable attachment)

*This sensor is not a safety device/tool

*This sensor is not for use in military applications



Interface

●Cable 1, power and output

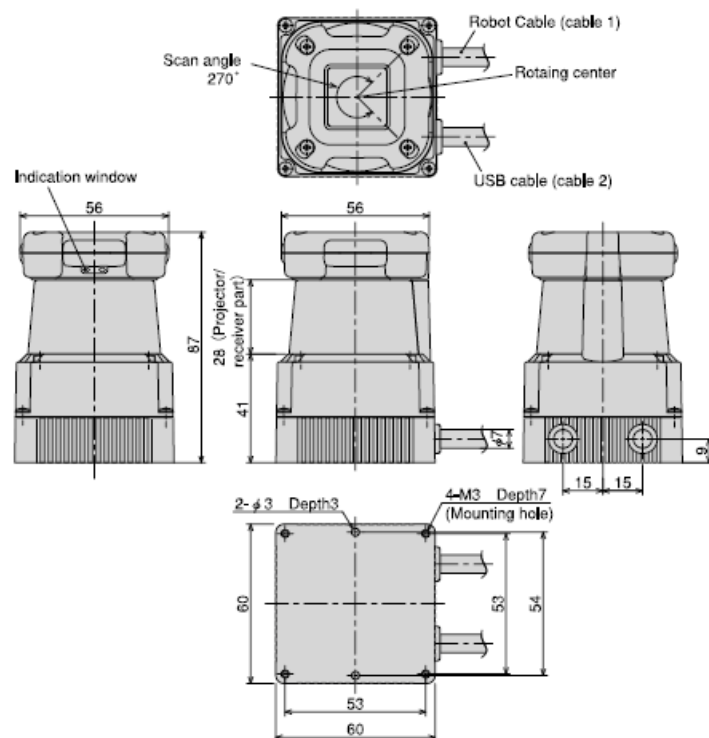
Color	Signal
Brown	12 VDC
Blue	0 V
Green	Synchronous output
White	GND

●Cable 2

Type-A (4pin) USB for communication



External dimension



★All information in this catalog is subject to change without notice.



HOKUYO AUTOMATIC CO.

Sentek Solutions Ltd, 1010 Cambourne Business Park
Cambridge, CB23 6DP England
Tel +44 1223 923 930 Fax +44 1223 923 940

www.sentekurope.com